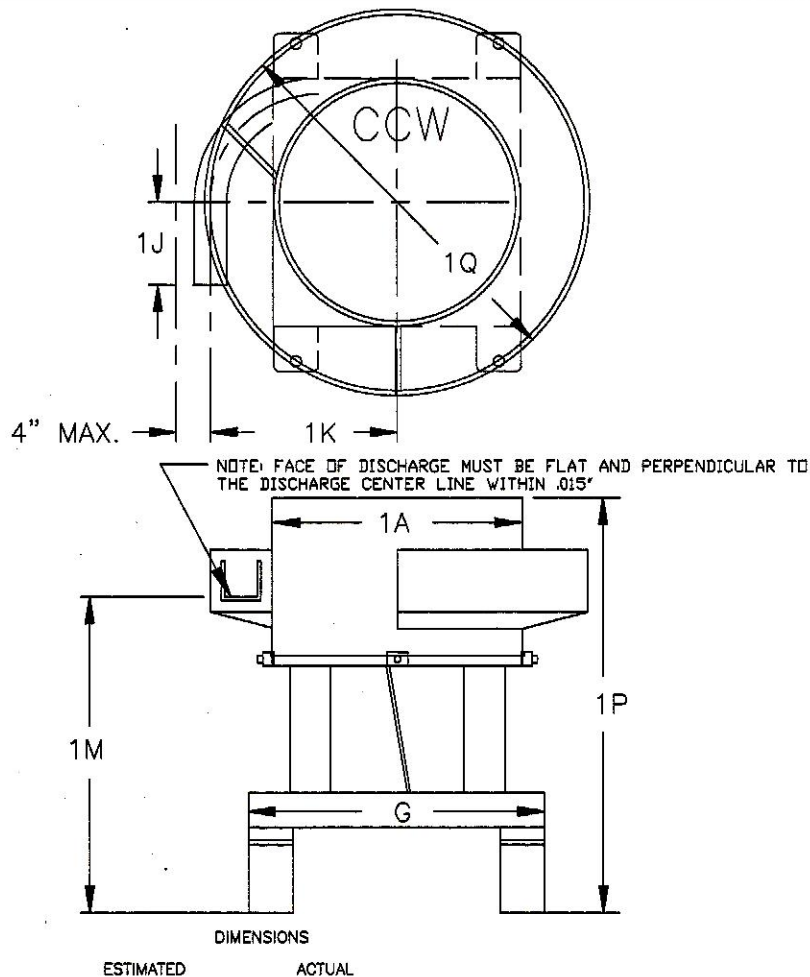


DATE: 1-26-12

UNITED TOOLERS OF ILLINOIS
 PH. 779.423.0548 FAX. 779.423.1650



"TYPICAL" DIMENSIONS FOR UTI BOWLS

"1A"	"1M" $\pm \frac{0}{-1}$	"1P"	"1J"	"1K"	"1Q"	"G"
6" I.D.	8.5"	10"	1"	5" ± 1 "	12"	6"
8" I.D.	10 1/2"	13"	1"	6" ± 1 "	14"	8"
10" I.D.	11"	15"	1"	7" ± 1 "	17"	10"
12" I.D.	13 1/2"	17"	2"	10" ± 1 "	20"	12"
15" I.D.	15"	19"	2"	12.50" ± 1 "	25"	15"
18" I.D.	15"	20"	2"	15" ± 1 "	30"	18"
21" I.D.	19"	24"	3"	18.38" ± 1.38 "	42"	23"
24" I.D.	19"	28"	3"	20.5" ± 2 "	48"	26"
27" I.D.	21"	36"	3"	23.50" ± 1.5 "	54"	29"
30" I.D.	22"	40"	3"	25" ± 1.5 "	57"	36"
36" I.D.	22"	44"	4"	31" ± 2 "	71"	42"
42" I.D.	23"	45"	4"	34" ± 2 "	77"	48"

=/ < 24" DIAMETER, 4 POST, DUAL COIL, AND 2" DRIVE PLATE
 27" TO 36" DIAMETER, 6 POST, TRIPLE COIL, AND 3" DRIVE PLATE
 42" DIAMETER, 8 POST, QUAD COIL, AND 4" DRIVE PLATE

'1A'			SIZE OF BOWL I.D. (NOT TO CHANGE)
'1M'	$\frac{+0}{-1}$		RIDING SURFACE TO FLOOR
'1P'			MAXIMUM OVERALL HEIGHT (NOT TO EXCEED)
'1J'	$\frac{+0}{-2}$		CL OF BOWL TO END OF DISCHARGE
'1K'			CL OF BOWL TO CL OF DISCHARGE
'1Q'			MAXIMUM RADIUS OF TOOLING ANYWHERE AROUND FEEDER (NOT TO EXCEED)
'G'			SIZE OF DRIVE BASE (SQ.)